

Image Setter[Ultrasetter 4800](#)[Ultrasetter 5400](#)**Scanner Mid-End**[Dolev 250/450](#)**Dolev 4Press****Proof Printer**[Dolev 4press V](#)

Dolev 4press



The leading press-oriented imagesetter, Dolev 4press is tailored for growth and outstanding performance. The large-format, four-up imagesetter has a maximum imagesetting area of 22 x 20.25 inches (559 x 743 mm). Film size and net image area are optimized for a wide range of platemakers. An optional headpunch can be customized to configure the film to most press standards. The imagesetter is driven by a Pentium-based IBM PS/2 RIP front end. The internal-drum imagesetter provides screen rulings from 50 to 625 lines per inch, and six selectable resolutions from 1524 to 4064 dpi (60 to 160 lines/mm). At a resolution of 2540 dpi, 8 1/2 x 11 inch (A4) pages in about 2-1/2 minutes net exposure time.

Dolev 4press Specifications

Technology

Design : Internal drum

Light source: Laser diode, 650 mm

Spot size: 17 microns, nominal

Raw imaging speed: 208 sq in./minute at 2540 dpi

Imaging

Net image area (max)

*Without head punch: 22 x 29.25 in.**With head punch: 21.26 x 29.25 in.*

Page formats: four 8 1/2 x 11 in., two - 11 x 17 in., one - 17 x 22 in.

Resolution: 1524, 2032, 2540, 3408, 3556, 4064 dpi continuously variable resolution optional

Screen technology: Scitex Class Screening - Conventional (round, square, diamond, gravure, composite), FULLtone (stochastic), GeometricDOT and High Definition screen ruling or frequency: 50 - 625 lines/in.

Media

* Type: Roll, medium-to-high contrast, red-sensitive film, paper or polyester

* Media length(max) and thickness: 200 ft at 4 mil thick; 100 ft at 7 mil thick

* Width: 12 - 29 in. selectable 1 in.

Cut length

With cassette: 3.9 in. to 66 ft max

With in-line processor: 10 in. min to 24 in. max

* Load/unload system: automatic loading, unloading of exposed film into accumulating cassette or inline processor

* Load cassette: 200 ft for 4 mil thick, 100 ft for 7 mil thick

* Customized punch optional): head and side, tail on special order

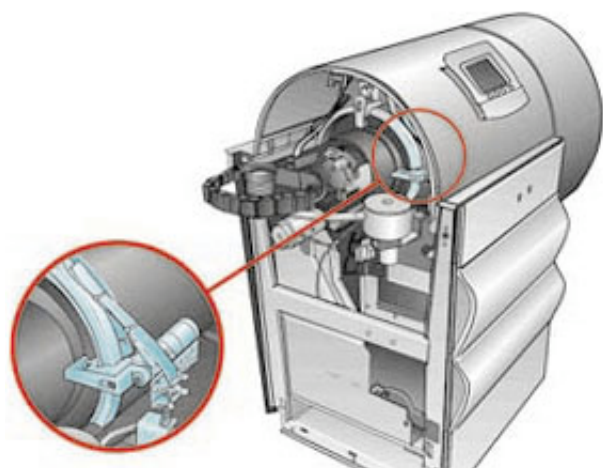
* Inline film processor: Optional

Dolev 4press V

Fast Film Handling for Highest Productivity

Fast electronics and a high-speed spinner rotating at 36,000 rpm, expose film in a very short time. At a resolution of 2540 lines per inch, the device images a full-format film (up to four 8 1/2 x 11-inch/A4 pages) in about 2-1/2 minutes net exposure time. For high throughput, the accumulating cassette allows you to expose up to 60 feet/20 meters of film. The film size and net image area meet a wide range of press requirements.

The prism rotates at 36,000 rpm and the laser unit travels down the center of the drum, quickly exposing the film. Customized punches, installed around the drum perimeter, match the film to the platemaking system for accurate registration.

High Reliability Assres Unattended



Operation

The Dolev 4press V imagesetter has an ultra-reliable transport mechanism and superior automatic film loading and unloading. An intelligent controller manages the film transport motors and rollers, while detectors and encoders monitor film progress to ensure reliable operation. All mechanical parts and electronic assemblies of the imagesetter are manufactured by Scitex in conformance with ISO 9002.



Image Setter

[_Ultre_Setter 4800](#)

[Ultre_Setter 5400](#)

[Scanner Mid-End](#)

[Dolev 250/450](#)

[Dolev 4Press](#)

[Proof Printer](#)

[Dolev 4press V](#)

© 2003-04 Picatype Systems Pvt. Ltd. All rights reserved.